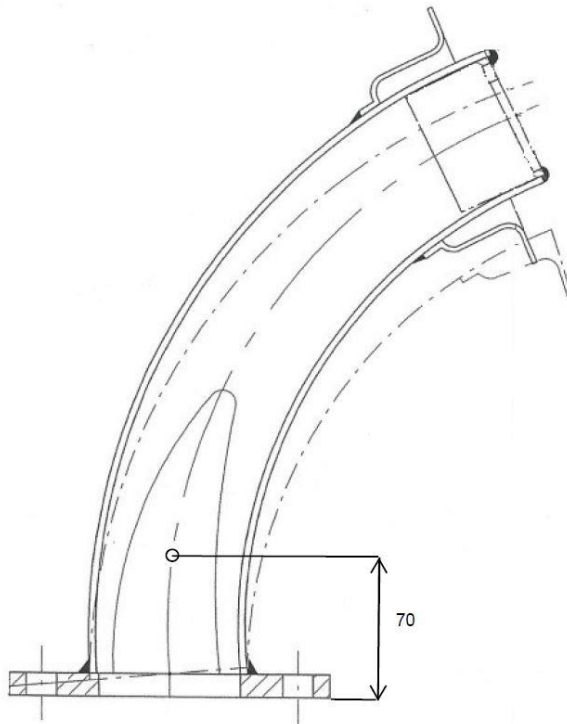


PRESS RELEASE N. 1 of 07/02/2025

SUBJECT: NEW EXHAUST MANIFOLDS WITH PREPARATION FOR EXHAUST PROBE

1. With the introduction in the 2025 technical regulation of the possibility of fitting the exhaust probe, the new exhaust manifolds will soon be available:

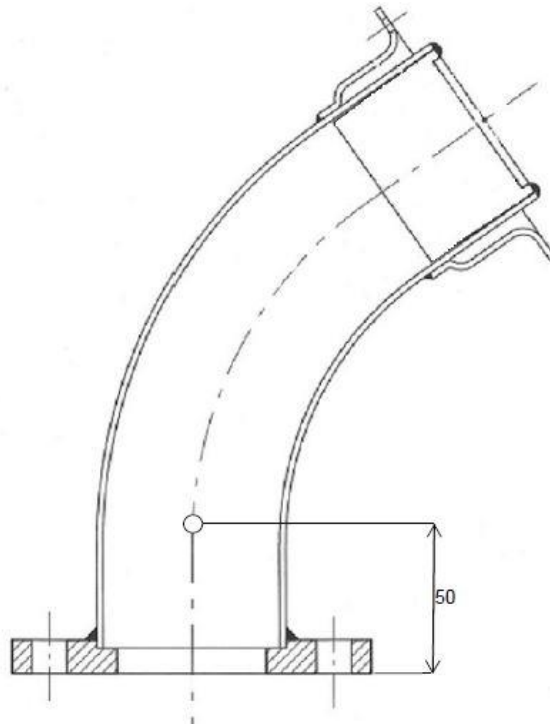
- **Cod. 10.9343.00 - EKL - ACADEMY EXHAUST MANIFOLD FOR EXHAUST PROBE MOUNTING**
- **Cod. 10.12404.00 - EKL - EXHAUST MANIFOLD FOR EXHAUST PROBE MOUNTING**



Please note that it will be possible to fit the exhaust probe to the old manifolds as well, respecting the above-mentioned dimensions.

1. With the introduction in the 2025 technical regulation of the possibility of fitting the exhaust probe, the new exhaust manifolds will soon be available:

- **Cod. 10.10021.00 – EKJ EXHAUST MANIFOLD FOR EXHAUST PROBE MOUNTING**
- **Cod. 10.9460.00 - EKA EXHAUST MANIFOLD FOR EXHAUST PROBE MOUNTING**



Please note that it will be possible to fit the exhaust probe to the old manifolds as well, respecting the above-mentioned dimensions.

For further information and to purchase new parts, please contact the authorized Easykart dealers directly. Find the complete list of dealers at the following link:

<https://www.easykart.it/single-page.asp?id=1>

BIREL ART S.R.L.
Easykart Division